

SPA-160 Ice Dispenser



Manitowoc



S-Series 422 Ice Machine
SPA-160 Ice Dispenser

- Designed for ice bucket filling in hotels, motels, and resorts
- 120 lbs. (54.40 kgs.) ice storage capacity. Accepts 22" (55.88 cm) wide Manitowoc ice machine
- Only 22" (55.88 cm) wide, 31" (78.70 cm) deep, and 75.5" high (191.77 cm)
- Patented rocking chute dispense mechanism reduces in-flight ice and ice spillage with quick on/off activation
- Efficient built-in agitator assures 100% dispensing. Polyethylene bin liner and polyurethane insulation store ice longer
- Ice only dispense, with coin-op and room card dispensing control options.
- Warranty
 - 5-year parts and 5-year labor coverage on ice machine evaporator
 - 5-year parts and 3-year labor coverage on ice machine compressor
 - 3-year parts-and-labor coverage on all other ice machine and dispenser components



ISO 9001:2000
Quality System Certified

America's #1 Selling Ice Machine

Ice Cube & Flake Machines • Ice Storage Bins • Ice Dispensers

Manitowoc
Foodservice Group

Manitowoc SPA-160 Ice Dispenser

SERIES 322 (115V)


| 24-HOUR PRODUCTION † | | | | | lbs. kgs. | | | |
|----------------------|------------|-----|-----|-------------------|------------|-----|-----|--|
| AIR-COOLED UNIT | | | | WATER-COOLED UNIT | | | | |
| air temp | water temp | | | air temp | water temp | | | |
| °F | 50° | 70° | 90° | °F | 50° | 70° | 90° | |
| °C | 10° | 21° | 32° | °C | 10° | 21° | 32° | |
| 70° | 340 | 320 | 300 | 70° | 330 | 310 | 280 | |
| 21° | 154 | 145 | 136 | 21° | 150 | 141 | 127 | |
| 80° | 320 | 290 | 270 | 80° | 320 | 300 | 280 | |
| 27° | 145 | 132 | 122 | 27° | 145 | 136 | 127 | |
| 90° | 280 | 250 | 240 | 90° | 310 | 290 | 270 | |
| 32° | 127 | 113 | 108 | 32° | 141 | 132 | 122 | |

†Production for dice and half dice cubes. Data is published for 60 Hz machines. 50 Hz machines produce approximately 7% less ice.

SERIES 422 (115V)

| 24-HOUR PRODUCTION † | | | | | lbs. kgs. | | | |
|----------------------|------------|-----|-----|-------------------|------------|-----|-----|--|
| AIR-COOLED UNIT | | | | WATER-COOLED UNIT | | | | |
| air temp | water temp | | | air temp | water temp | | | |
| °F | 50° | 70° | 90° | °F | 50° | 70° | 90° | |
| °C | 10° | 21° | 32° | °C | 10° | 21° | 32° | |
| 70° | 450 | 420 | 390 | 70° | 470 | 440 | 400 | |
| 21° | 204 | 191 | 177 | 21° | 213 | 200 | 181 | |
| 80° | 430 | 400 | 370 | 80° | 460 | 430 | 390 | |
| 27° | 195 | 181 | 168 | 27° | 209 | 195 | 177 | |
| 90° | 410 | 380 | 350 | 90° | 450 | 420 | 380 | |
| 32° | 186 | 173 | 159 | 32° | 204 | 191 | 172 | |

†Production for dice and half dice cubes. Data is published for 60 Hz machines. 50 Hz machines produce approximately 7% less ice.

 Certified In Accordance With ARI Ice Storage Bins Certification Program, which is based on ARI Standard 820

Note: Dispenser will accept single 22" wide ice machine. Ice machine ordered separately. Choose Dice or Half Dice cube size. Refer to ice machine specification sheet for electrical and complete ARI standard ratings.

Dispenser Electric: 115/60/1. (208-230/60/1 and 230/50/1 also available.)

Maximum Circuit Fuse Size: 15.0 amps. HACR-type circuit breakers can be used in place of fuses.

Dispenser Electrical Connection: 6' power cord, rated 125 VAC, 16-3 conductors with standard 3-prong, straight-blade, ground-type plug (NEMA configuration 5-15P).

Motor: 1.6 amps maximum. Permanently lubricated.

Service Access: Dispenser door removes easily to access components.

Models: SPA-160 push for ice rocking chute, SCA-163 coin-op and SRA-164 room card control available. To field-convert SPA-160 to SRA-164, call factory for information. SFA-191 has a water valve option.



AuCS® SO Accessory



Automatic Cleaning System purchased as an option and installed in the field.

Options



Room Card
SRA-164



Coin-Op
SCA-163
25-cent
coin standard.

2 Cube Sizes Available

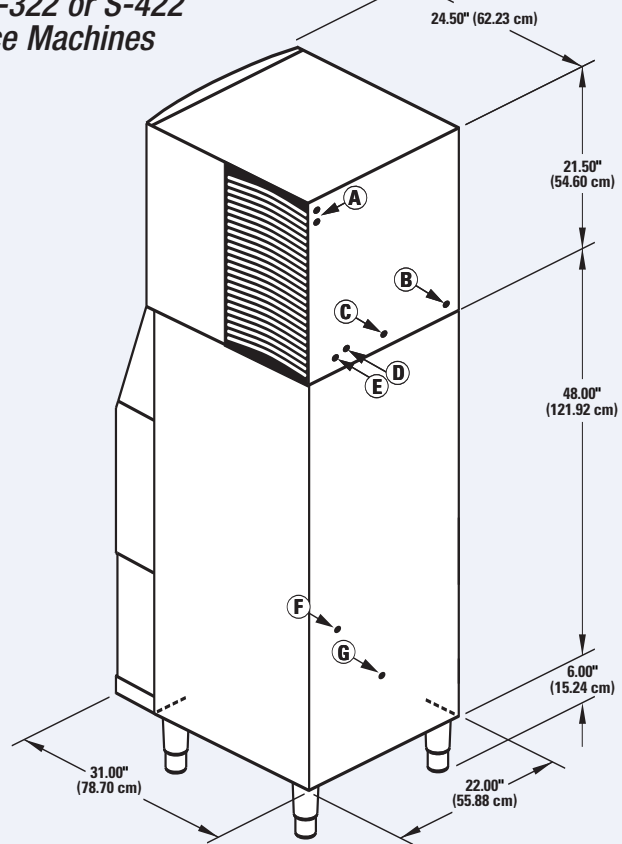


Half Dice
3/8" x 1 1/8" x 7/8"
(.95 x 2.86 x 2.22 cm)



Dice
7/8" x 7/8" x 7/8"
(2.22 x 2.22 x 2.22 cm)

SPA-160 Ice Dispenser S-322 or S-422 Ice Machines



Installation Note - Dispensers have no minimum clearance, when installing an ice machine/dispenser combination follow the clearance requirements for the ice machine being installed.

©2005 Manitowoc. 805. Continuing product improvement may necessitate change of specifications without notice. 3231A



MANITOWOC ICE, INC.
 2110 South 26th Street, P.O. Box 1720
 Manitowoc, WI 54221-1720, USA
 Ph: 920-682-0161 • Fax: 920-683-7589
 Visit us online at www.manitowocice.com

